

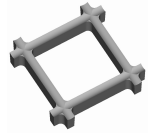
Priemyselná 720 Phone : +421 566871311
072 22 Strážske, Slovakia Fax : +421 566871399

Type : **SCREENGRID® G.R.P. MOULDED ISO-FR SERIES GRATING TYPE 13x38x38mm**

Material : Isophthalic fire retardant resin reinforced with continuous glass rovings.

Standard color : Grey RAL 7035

Density : 1,5 – 2,0



Standard panel size

Width [mm]	Length [mm]	Thickness [mm]	Mesh pitch [mm]	Opening [mm]	Open area [%]	Weight [kg / m ²]	Weight per panel [kg]
1220	3660	13	38x38	31x31	70	6,0	27,00

Standardization : Meets DIN24537-3

Tolerances : Length, width ± 3 mm
Thickness ± 1 mm
Weight ± 5%
Color deviation Close to specified RAL-code.

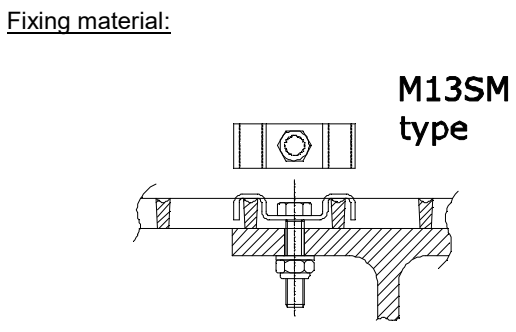
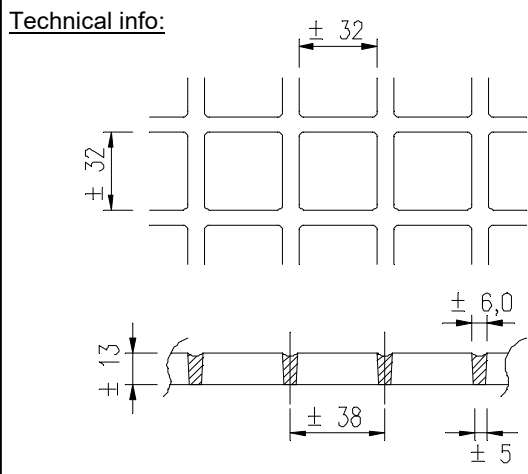
Glass / resin mix ratio : Approx. 30 / 70 % by weight.

Fire retardancy : Self-extinguishing.

Operating temperature range : - 40 °C / 65 °C.

Weathering : For inside and outside applications (UV resistant).

- Others :
1. Not Electrical conductive, rel. conductivity $1.098 \times 10^{17} \Omega \cdot \text{mm}^2$.
 2. Low thermal conductivity.
 3. Voids, streaking and chip-outs according to Fiberstruct standards.
 4. Explosion-free Group I and IIA according EN13463-1 annex C.(DNV)
 5. Meets REACH EU 1907/2006



- Availability: - Stainless steel AISI 304 (A2)
- Stainless steel AISI 316 (A4)
- Hot Dip Galvanized Steel

Surface finish: Concave surface : The gratings have a concave surface to obtain slip resistancy. The slip resistancy meets R13 according to BGR 181 and DIN 51130.

Gritted surface : Optionally the gratings can be provided with a gritted surface. The slip resistancy also meets R13 according to BGR 181 and DIN 51130 for SiO₂ grit.